

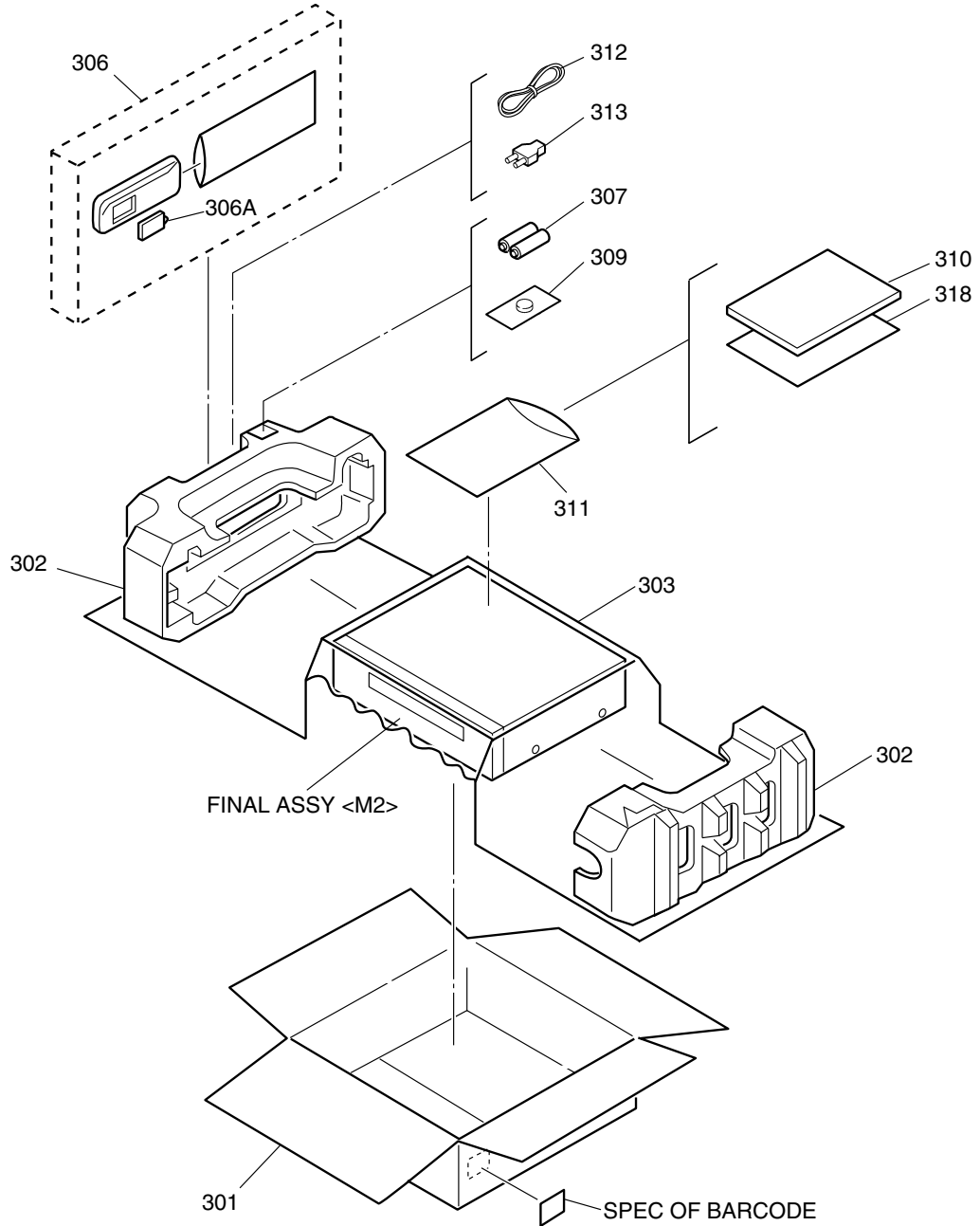
SECTION 5 PARTS LIST

SAFETY PRECAUTION

Parts identified by the \triangle symbol are critical for safety. Replace only with specified part numbers.

5.1 PACKING AND ACCESSORY ASSEMBLY <M1>

The instruction manual to be provided with this product will differ according to the destination.



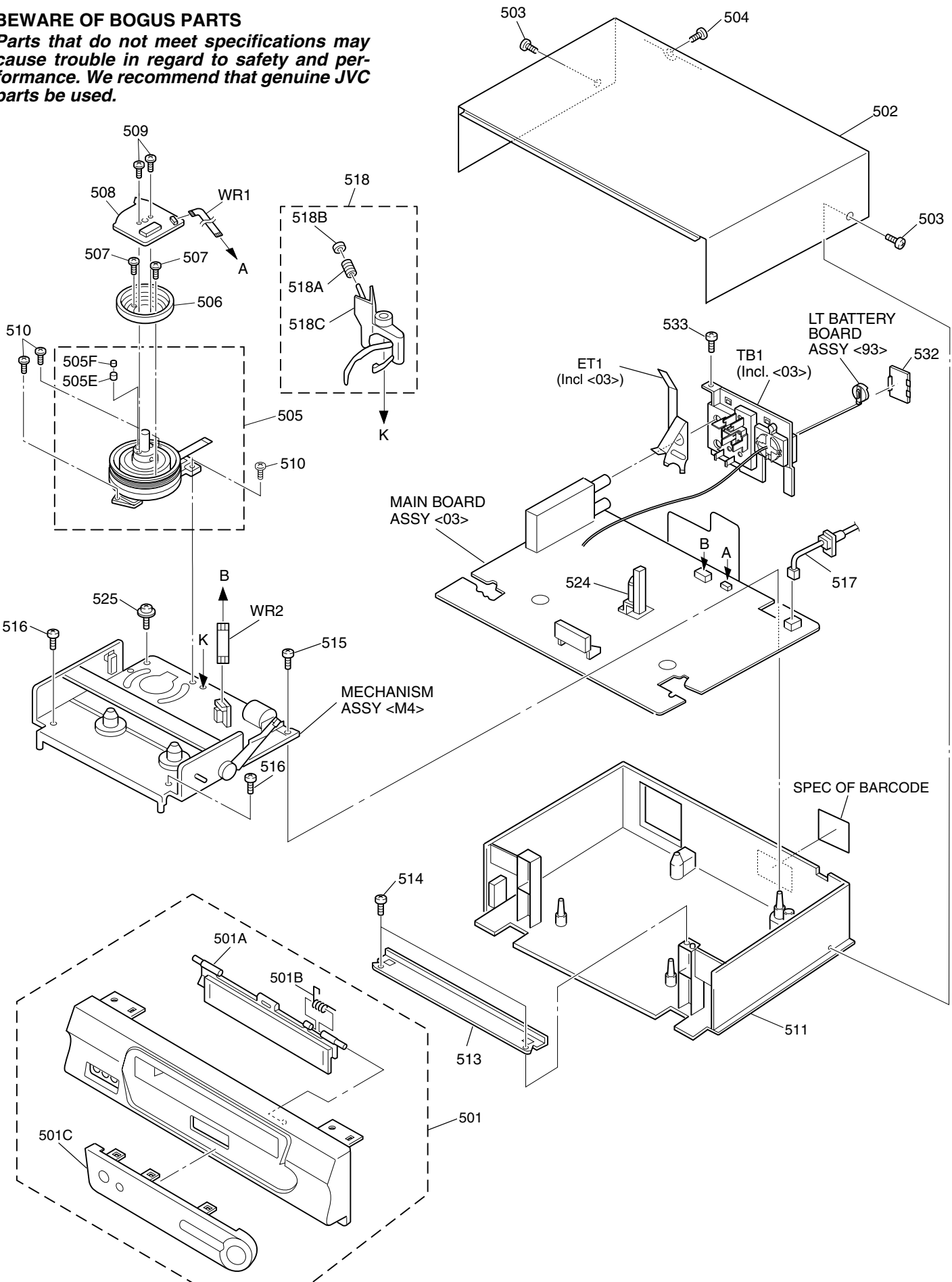
# \triangle REF No.	PART No.	PART NAME, DESCRIPTION	# \triangle REF No.	PART No.	PART NAME, DESCRIPTION

		PACKING AND ACCESSORY ASSEMBLY <M1>			
301	LP30836-013B	PACKING CASE	307	-	BATTERY,X2("AA"TYPE)
302	LP30777-001C	CUSHION ASSY	309	PECA0903	LT BATTERY
303	LP30904-002A	SHEET	\triangle 310	LPT0534-001A	INST BOOK(EN)
306	LP20878-004C	REMOTE CONTROLLER	\triangle 310	LPT0534-002A	INST BOOK(SP)
306A	LP40610-002A	COVER(BATTERY)	311	QPC02503530P	POLY BAG
			312	PEAC0294-04	RF CABLE
			313	PEMC1012	CONVERSION PLUG
			318	PU36560-2	CONNECTION SHEET

5.2 FINAL ASSEMBLY <M2>

BEWARE OF BOGUS PARTS

Parts that do not meet specifications may cause trouble in regard to safety and performance. We recommend that genuine JVC parts be used.



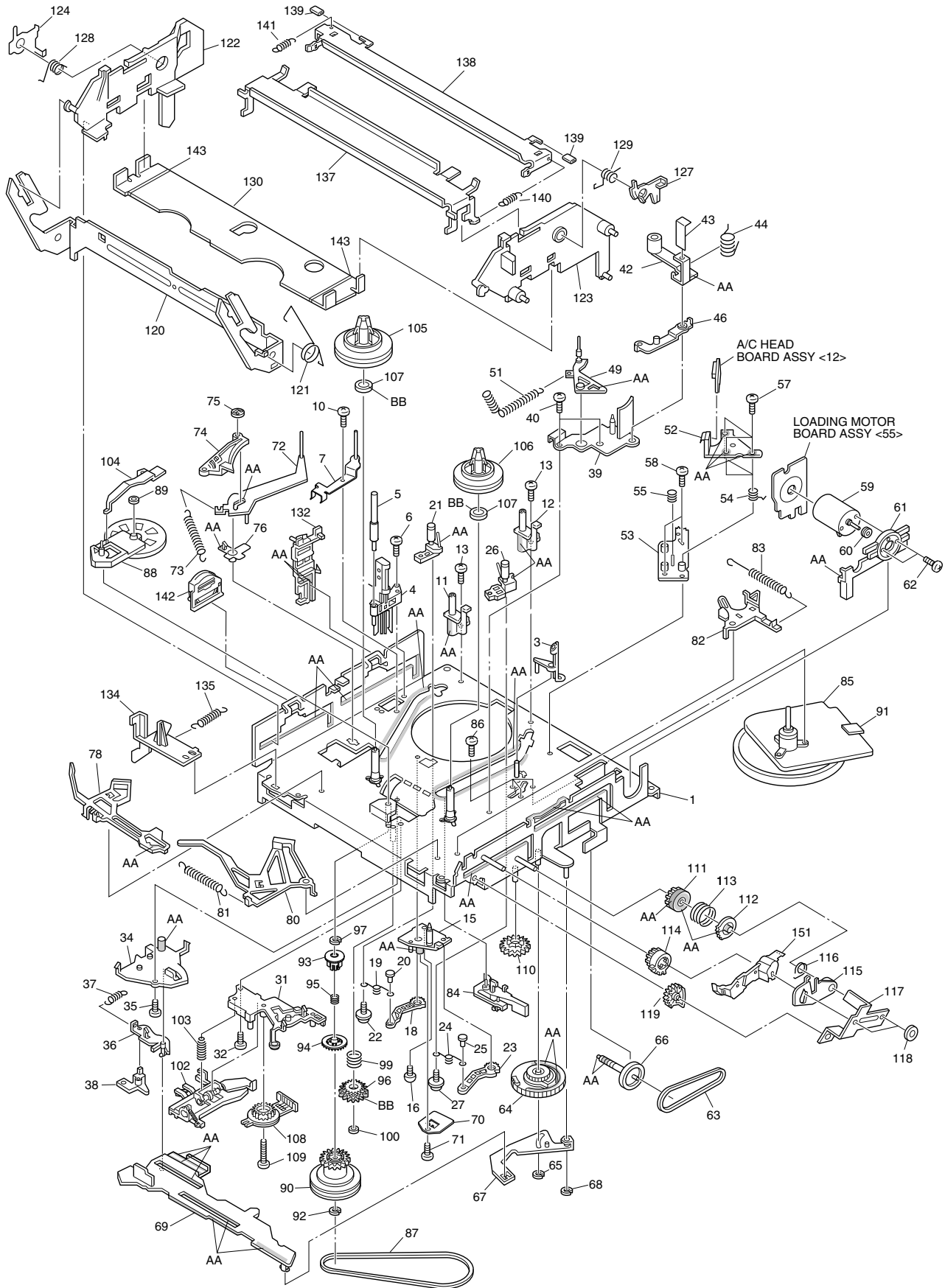
▲ REF No. PART No. PART NAME, DESCRIPTION

▲ REF No. PART No. PART NAME, DESCRIPTION

FINAL ASSEMBLY <M2>

▲	501	LP10348-007H	FRONT PANEL ASSY
	501A	LP20977-007C	CASSETTE DOOR
	501B	PQ46448	TORSION SPRING
	501C	LP20976-007A	DISPLAY WINDOW
▲	502	LP10352-008A	TOP COVER
	503	QYTDSF3010R	SCREW,X2 TOP COVER(SIDE)
	504	QYTDSF3010M	SCREW,TOP COVER(REAR)
	505	LP20981-001A	DRUM SUB ASSY
	505E	LP40323-001A	CONTACT
	505F	LP30004-014A	COMPRESION SPRING
	506	PDZ0179-1-4	ROTOR ASSY
	507	QYSPSP3006Z	SCREW,X2
▲	508	QAR0169-002	STATOR ASSY
	509	QYSPSPH2606Z	SCREW,X2
	510	QYTDST2610Z	SCREW,X3 DRUM
▲	511	LP10350-005E	BOTTOM CHASSIS
	513	LP30818-001A	BRACKET(CHASSIS)
	514	QYTDSF3010Z	SCREW,X2
	515	QYTDSF4012Z	SCREW,MECHA
	516	QYTDSF3010Z	SCREW,X2 MECHA
▲	517	QMP73J0-170	POWER CORD
	518	LP40369-001D	CLEANER ASSY
	518A	PQ46418-1-2	CLEANER ROLLER
	518B	PQ46419-1-2	CLEANER
	518C	LP30407-001D	CLEANER ARM
	524	LP40253-001B	STOPPER
	525	PQ40413	SPECIAL SCREW,MECHA
	532	LP30336-001A	CAP,LT BATTERY
	533	QYTDSF3010Z	SCREW,TERMINAL BOARD
	WR1	QUQ212-0519CG	FFC WIRE,DRUM CN3002
	WR2	WJT0005-002A	E-CARD WIRE,A/C HEAD CN2001

5.3 MECHANISM ASSEMBLY <M4>



Classification	Part No.	Symbol in drawing
Grease	KYODO-SH-P	AA
Oil	COSMO-HV56	BB

NOTE:The section marked in **AA** and **BB** indicate lubrication and greasing areas.

#	△	REF No.	PART No.	PART NAME, DESCRIPTION	#	△	REF No.	PART No.	PART NAME, DESCRIPTION

MECHANISM ASSEMBLY <M4>									
1			LP20821-006A	MAIN DECK ASSY	74			LP40109-003D	TENSION BRAKE ASSY
3			LP30492-002B	GIDE POLE GUARD	75			PQ46302-1-3	ADJUST PIN
4			NAH0001-001	FULL ERASE HEAD	76			LP30232-002A	TENSION ARM BEARING
5			LP40098-001B	GUIDE POLE(SUPPLY)	78			LP40532-008B	MAIN BRAKE ASSY (SUPPLY)
6			QYTDST2608Z	SCREW,FE HEAD	80			LP40111-011A	MAIN BRAKE ASSY (TAKE UP)
7			LP40637-002A	TENSION STUD BASE ASSY	81			LP30003-026A	TENSION SPRING
10			QYTDST2606Z	SCREW	82			LP40112-001F	SUB BRAKE ASSY(TAKE UP)
11			LP30409-002C	UV CATCHER 2	83			LP40357-002A	TENSION SPRING
12			LP30409-002C	UV CATCHER 2	84			LP40461-001A	CAPSTAN BRAKE ASSY
13			QYTPST2606Z	SCREW,X2	85			QAR0087-005	CAPSTAN MOTOR
15			LP30223-003C	LOADING ARM GEAR SHAFT	86			QYTDST2606M	SCREW,X3
16			QYTDST2606Z	SCREW	87			LP30005-007A	BELT,CAPSTAN MOTOR
18			LP30224-001B	LOADING ARM GEAR(SUPPLY)	88			LP40114-012A	IDLER ARM ASSY
19			LP40099-001A	TORSION ARM	89			LP40599-001A	WASHER
20			LP40100-001A	PIN	90			LP40593-001A	CLUTCH UNIT 3
21			LP40101-006A	POLE BASE ASSY(SUPPLY)	91			LP30002-097A	SPACER.CAPSTAN MOTOR
22			QYSPSTG2606Z	SCREW	92			PQM30017-47	SLIT WASHER
23			LP40103-002B	LOADING ARM GEAR(TAKE UP)	93			LP30696-002A	CLUTCH GEAR 4
24			LP40099-001A	TORSION ARM	94			LP30697-003A	COUPLING GEAR
25			LP40100-002A	PIN	95			LP40554-002A	COMPRESSION SPRING
26			LP40104-006A	POLE BASE ASSY(TAKE UP)	96			LP40442-001A	DIRECT GEAR
27			QYSPSTG2606Z	SCREW	97			LP30017-019A	SPACER
31			LP20233-004B	ROTARY ENCODER GUIDE	99			LP40483-002A	COMPRESSION SPRING
32			QYTPST2606Z	SCREW	100			LP30016-001A	SLIT WASHER
34			LP30226-004E	CONTROL PLATE GUIDE	102			LP40484-001J	CHANGE LEVER ASSY
35			QYTPST2605Z	SCREW	103			LP40512-002B	COMPRESSION SPRING
36			LP30249-003B	TAKE UP LEVER	104			LP30236-002C	IDLER LEVER
37			LP30003-006A	TENSION SPRING	105			LP20237-001B	REEL DISK (SUPPLY)
38			LP40119-002A	TAKE UP HEAD	106			LP20238-001B	REEL DISK (TAKE UP)
39			LP20234-004B	LID GUIDE	107			LP30017-015A	SPACER,X2
40			QYTDST2606Z	SCREW,X2	108			QSW0554-003	ROTARY ENCODER
42			LP40105-003A	PINCH ROLLER ARM ASSY	109			QYTPST2620Z	SCREW
43			LP40753-001A	PINCH ROLLER SHEET3	110			LP30237-002B	CASSETTE GEAR
44			LP40148-002A	TORSION SPRING	111			LP30239-002G	LIMIT GEAR(1)
46			LP40149-001C	PRESS LEVER ASSY	112			LP30240-002G	LIMIT GEAR(2)
49			LP40106-007A	GUIDE ARM ASSY	113			LP40136-001E	TORSION SPRING
51			LP40134-002A	TENSION SPRING	114			LP30242-002A	RELAY GEAR
52			QAH0058-001	AC HEAD	115			LP30339-002E	OPENER GUIDE
53			LP30228-001A	HEAD BASE	116			LP40545-001A	TORSION SPRING
54			LP30004-013A	COMPRESSION SPRING,X3	117			LP40214-001B	C.H.BRACKET
55			LP40236-001A	COMPRESSION SPRING	118			PQM30017-47	SLIT WASHER,X2
57			LP40213-002B	SPECIAL SCREW,X3	119			LP30243-001D	DRIVE GEAR
58			QYTDST2608Z	SCREW,X2	120			LP20240-001G	DRIVE ARM
59			QAR0023-001	LOADING MOTOR	121			LP40137-001A	TORSION SPRING
60			PQ43546-1-2	MOTOR PULLEY	122			LP10081-002L	SIDE HOLDER(L)
61			LP30230-001B	MOTOR GUIDE	123			LP10082-002M	SIDE HOLDER(R)
62			QYTPSP3003Z	SCREW,X2	124			LP30255-006A	LOCK LEVER(L)
63			LP30005-003A	BELT,LOADING MOTOR	127			LP30256-001H	LOCK LEVER(R)
64			LP20791-002D	CONTROL CAM	128			LP40168-003A	TORSION SPRING(L)
65			PQM30017-24	SLIT WASHER	129			LP40218-001B	TORSION SPRING(R)
66			LP40120-001A	WORM GEAR	130			LP30257-001G	CASSETTE HOLDER
67			LP40107-002A	LINK LEVER ASSY	132			LP30244-002G	GUIDE RAIL
68			PQM30017-24	SLIT WASHER	134			LP30245-002F	REC SAFETY LEVE
69			LP10201-003G	CONTROL PLATE	135			LP30003-004A	TENSION SPRING
70			LP40379-001B	CONTROL BRACKET(1)	137			LP20578-001C	TOP GUIDE
71			QYTDST2608M	SCREW	138			LP30500-001C	HOLD PLATE
72			LP40108-002A	TENSION ARM ASSY	139			LP40450-003A	PAD,X2
73			LP30003-010A	TENSION SPRING	140			LP30003-025B	TENSION SPRING
					141			LP30003-024A	TENSION SPRING
					142			LP40481-003A	ROLLER CAM ASSY
					143			LP30019-014A	PAD,X2
					151			LP20324-003B	DOOR OPENER

5.4 ELECTRICAL PARTS LIST

#	△ REF No.	PART No.	PART NAME, DESCRIPTION

MAIN BOARD ASSEMBLY <03>			
	PW1	LPA10130-06D1	MAIN BOARD ASSY
	IC1	JCP8041-NVA	IC
△	IC2201	AN3663FBP	IC
	IC3001	MN101D02GWA	IC
	IC3002	BA6956AN	IC
	IC3003	S-80823ANNP-W	IC
		or IC-PST3423U-X	IC
	IC3004	S-24C02BFJ-X	IC
		or BR24C02F-W-X	IC
		or 24LC02B/SN-X	IC
		or AT24C02N-10SC-X	IC
	IC5301	L5431	IC
		or MM1431AT	IC
		or UTCTL431	IC
	IC7042	GP1U291Q	IR DETECT UNIT
		or PIC-28143LJ	IR DETECT UNIT
		or PNA4652M00YC	IR DETECT UNIT
		or PIC-37143LJ	IR DETECT UNIT
	Q22	2SC4081/QRS/-X	TRANSISTOR
		or 2PC4081/R/-X	TRANSISTOR
	Q32	DTC144WU	TRANSISTOR
		or PDTC144WU	TRANSISTOR
		or UN521E	TRANSISTOR
		or RN1309	TRANSISTOR
	Q901	2SA1576A/QRS/-X	TRANSISTOR
		or 2PA1576/R/-X	TRANSISTOR
	Q2001	2SC4081/QRS/-X	TRANSISTOR
		or 2PC4081/R/-X	TRANSISTOR
		or 2SD1819A/QRS/-X	TRANSISTOR
	Q2002	2SC4081/QRS/-X	TRANSISTOR
		or 2SD1819A/QRS/-X	TRANSISTOR
		or 2PC4081/R/-X	TRANSISTOR
	Q2003	DTA144WU	TRANSISTOR
		or PDA144WU	TRANSISTOR
		or RN2309	TRANSISTOR
		or UN511E	TRANSISTOR
	Q2051	2SC4081/QRS/-X	TRANSISTOR
		or 2PC4081/R/-X	TRANSISTOR
		or 2SD1819A/QRS/-X	TRANSISTOR
	Q2052	2SA1576A/QR/-X	TRANSISTOR
		or 2SB1218A/QR/-X	TRANSISTOR
		or 2PA1576/R/-X	TRANSISTOR
	Q2053	DTC144WU	TRANSISTOR
		or PDTC144WU	TRANSISTOR
		or RN1309	TRANSISTOR
		or UN521E	TRANSISTOR
	Q2054	2SA1576A/QR/-X	TRANSISTOR
		or 2PA1576/R/-X	TRANSISTOR
		or 2SB1218A/QR/-X	TRANSISTOR
	Q2055	DTC144WU	TRANSISTOR
		or PDTC144WU	TRANSISTOR
		or RN1309	TRANSISTOR
		or UN521E	TRANSISTOR
	Q2201	DTA144WU	TRANSISTOR
		or PDA144WU	TRANSISTOR
		or RN2309	TRANSISTOR
		or UN511E	TRANSISTOR

#	△ REF No.	PART No.	PART NAME, DESCRIPTION
	Q2202	DTC144WU	TRANSISTOR
		or PDTC144WU	TRANSISTOR
		or RN1309	TRANSISTOR
		or UN521E	TRANSISTOR
	Q2203	2SC4081/QRS/-X	TRANSISTOR
		or 2SD1819A/QRS/-X	TRANSISTOR
		or 2PC4081/R/-X	TRANSISTOR
	Q2204	2SC4081/QRS/-X	TRANSISTOR
		or 2PC4081/R/-X	TRANSISTOR
		or 2SD1819A/QRS/-X	TRANSISTOR
	Q3002	PTZ-NV16A	PHOTO TRANSISTOR
	Q3004	2SD1819A/QRS/-X	TRANSISTOR
		or 2SC4081/QRS/-X	TRANSISTOR
		or 2PC4081/R/-X	TRANSISTOR
	Q4001	UN5211	TRANSISTOR
		or DTC114EU	TRANSISTOR
		or PDTC114EU	TRANSISTOR
		or RN1302	TRANSISTOR
	Q4002	2SD1819A/QRS/-X	TRANSISTOR
		or 2SC4081/QRS/-X	TRANSISTOR
		or 2PC4081/R/-X	TRANSISTOR
	Q5101	2SK2632-CB14	POWER MOS FET
		or 2SK2129	POWER MOS FET
		or 2SK2129-LT	POWER MOS FET
		or 2SK2632	POWER MOS FET
	Q5102	2SD2144S/UV/-T	TRANSISTOR
	Q5303	2SD1819A/RS/-X	TRANSISTOR
		or 2PC4081/R/-X	TRANSISTOR
		or 2SC4081/RS/-X	TRANSISTOR
	Q5304	2SD2144S/UV/-T	TRANSISTOR
	Q5305	DTA114EU	TRANSISTOR
		or PDA114EU	TRANSISTOR
		or RN2302	TRANSISTOR
		or UN5111	TRANSISTOR
	Q5306	DTC114EU	TRANSISTOR
		or PDTC114EU	TRANSISTOR
		or RN1302	TRANSISTOR
		or UN5211	TRANSISTOR
	Q5321	2SC3616/ML/-T	TRANSISTOR
	Q6030	2SB1218A/QR/-X	TRANSISTOR
		or 2PA1576/R/-X	TRANSISTOR
		or 2SA1576A/QR/-X	TRANSISTOR
	Q7001	DTA143TU	TRANSISTOR
	Q7002	DTA143TU	TRANSISTOR
	Q7003	DTA143TU	TRANSISTOR
	Q7004	DTA143TU	TRANSISTOR
	Q7005	DTA143TU	TRANSISTOR
	Q7006	DTC143TU	TRANSISTOR
	Q7007	DTC143TU	TRANSISTOR
	Q7008	DTC143TU	TRANSISTOR
	Q7009	DTC143TU	TRANSISTOR
	Q7010	DTC143TU	TRANSISTOR
	Q7011	DTC143TU	TRANSISTOR
	Q7012	DTC143TU	TRANSISTOR
	D3001	LNB2301L01VI	LE DIODE
	D3002	1SS133	DIODE
		or 1SS270A	DIODE
	D3004	11ES2	DIODE
		or 1A3G	DIODE
	D3005	11ES2	DIODE
		or 1A3G	DIODE

#	△	REF No.	PART No.	PART NAME, DESCRIPTION		#	△	REF No.	PART No.	PART NAME, DESCRIPTION	
		D3006	RD33ES/B2/-T2	ZENER DIODE		R201		NRSA02J-332X	MG RESISTOR		3.3kΩ,1/10W
			or MTZJ33B	ZENER DIODE		R202		NRSA02J-222X	MG RESISTOR		2.2kΩ,1/10W
△		D3008	RB721Q-40-T2	SB DIODE		R901		NRSA02J-750X	MG RESISTOR		75Ω,1/10W
		D3017	1SS133	DIODE		R904		QRE123J-331X	RESISTOR		330Ω,1/2W
			or 1SS270A	DIODE		R905		NRSA02J-101X	MG RESISTOR		100Ω,1/10W
		D5001	S1WB/A/60-4102	BRIDGE DIODE		R912		NRSA02J-750X	MG RESISTOR		75Ω,1/10W
			or S1WB(A)60F4072X	BRIDGE DIODE		R2003		NRSA02J-101X	MG RESISTOR		100Ω,1/10W
			or S1WB/A/60-X	BRIDGE DIODE		R2007		NRSA02J-123X	MG RESISTOR		12kΩ,1/10W
		D5101	AU01	FR DIODE		R2010		NRSA02J-123X	MG RESISTOR		12kΩ,1/10W
			or ERA18-04-T2	FR DIODE		R2013		NRSA63J-682X	MG RESISTOR		6.8kΩ,1/16W
			or 10ELS4	FR DIODE		R2014		NRSA63J-224X	MG RESISTOR		220kΩ,1/16W
			or 1SR153-400-T2	FR DIODE		R2015		NRSA63J-181X	MG RESISTOR		180Ω,1/16W
		D5102	AU01	FR DIODE		R2016		NRSA63J-473X	MG RESISTOR		47kΩ,1/16W
			or ERA18-04-T2	FR DIODE		R2017		NRSA63J-123X	MG RESISTOR		12kΩ,1/16W
			or 10ELS4	FR DIODE		R2018		NRSA63J-472X	MG RESISTOR		4.7kΩ,1/16W
			or 1SR153-400-T2	FR DIODE		R2019		NRSA63J-472X	MG RESISTOR		4.7kΩ,1/16W
		D5103	1SS133	DIODE		R2024		NRSA63J-332X	MG RESISTOR		3.3kΩ,1/16W
			or 1SS270A	DIODE		R2053		NRSA63J-272X	MG RESISTOR		2.7kΩ,1/16W
		D5105	1SS133	DIODE		R2054		NRSA02J-123X	MG RESISTOR		12kΩ,1/10W
			or 1SS270A	DIODE		R2055		NRSA02J-3R3X	MG RESISTOR		3.3Ω,1/10W
		D5203	AU01Z	FR DIODE		R2056		NRSA02J-820X	MG RESISTOR		82Ω,1/10W
			or ERA18-02-T2	FR DIODE		R2057		NRSA02J-473X	MG RESISTOR		47kΩ,1/10W
			or PG104RS	FR DIODE		R2058		NRSA02J-183X	MG RESISTOR		18kΩ,1/10W
			or 1SR153-400-T2	FR DIODE		R2059		NRSA02J-473X	MG RESISTOR		47kΩ,1/10W
			or 10ELS2	FR DIODE		R2060		NRSA02J-183X	MG RESISTOR		18kΩ,1/10W
		D5204	AU01Z	FR DIODE		R2201		NRSA02J-473X	MG RESISTOR		47kΩ,1/10W
			or ERA18-02-T2	FR DIODE		R2202		NRSA02J-682X	MG RESISTOR		6.8kΩ,1/10W
			or PG104RS	FR DIODE		R2205		NRSA02J-473X	MG RESISTOR		47kΩ,1/10W
			or 10ELS2	FR DIODE		R2206		NRSA02J-682X	MG RESISTOR		6.8kΩ,1/10W
			or 1SR153-400-T2	FR DIODE		R2209		NRSA02J-101X	MG RESISTOR		100Ω,1/10W
		D5207	AK04	DIODE		R2210		NRSA02J-472X	MG RESISTOR		4.7kΩ,1/10W
			or 11EQS04	SB DIODE		R2211		NRSA02J-332X	MG RESISTOR		3.3kΩ,1/10W
		D5210	AU01Z	FR DIODE		R2212		NRSA02J-332X	MG RESISTOR		3.3kΩ,1/10W
			or ERA18-02-T2	FR DIODE		R2213		NRSA02J-472X	MG RESISTOR		4.7kΩ,1/10W
			or PG104RS	FR DIODE		R2214		NRSA02J-101X	MG RESISTOR		100Ω,1/10W
			or 10ELS2	FR DIODE		R2215		QRE141J-221Y	RESISTOR		220Ω,1/4W
			or 1SR153-400-T2	FR DIODE		R2216		NRSA02J-102X	MG RESISTOR		1kΩ,1/10W
		D5301	MTZJ15C	ZENER DIODE		R2217		NRSA02J-472X	MG RESISTOR		4.7kΩ,1/10W
			or RD15ES/B3/-T2	ZENER DIODE		R2218		NRSA02J-392X	MG RESISTOR		3.9kΩ,1/10W
		D5302	QUY153-050Y	IM BUS WIRE		R2219		NRSA02J-102X	MG RESISTOR		1kΩ,1/10W
		D5303	RD5.1JS/B2/-T2	ZENER DIODE		R2220		NRSA02J-102X	MG RESISTOR		1kΩ,1/10W
			or MA4051N/M/-T2	ZENER DIODE		R2221		QRE141J-102Y	RESISTOR		1kΩ,1/4W
		D5304	1SS133	DIODE		R2222		NRSA02J-0R0X	MG RESISTOR		0Ω,1/10W
			or 1SS270A	DIODE		R2225		NRSA02J-0R0X	MG RESISTOR		0Ω,1/10W
		D5307	QUY160-100Y	IM BUS WIRE		R2251		NRSA63J-472X	MG RESISTOR		4.7kΩ,1/16W
		D5316	QUY160-100Y	IM BUS WIRE		R2252		NRSA63J-332X	MG RESISTOR		3.3kΩ,1/16W
		D6002	HZ30-2L-T2	ZENER DIODE		R2253		QRE141J-101Y	RESISTOR		100Ω,1/4W
			or HZ30-2LTD	Z DIODE (M)		R2255		NRSA63J-273X	MG RESISTOR		27kΩ,1/16W
		R1	NRSA63J-682X	MG RESISTOR	6.8kΩ,1/16W	R3001		NRSA02J-0R0X	MG RESISTOR		0Ω,1/10W
		R2	NRSA63J-152X	MG RESISTOR	1.5kΩ,1/16W	R3017		NRSA02J-0R0X	MG RESISTOR		0Ω,1/10W
		R3	NRSA63J-822X	MG RESISTOR	8.2kΩ,1/16W	R3018		NRSA02J-0R0X	MG RESISTOR		0Ω,1/10W
		R6	NRSA63J-273X	MG RESISTOR	27kΩ,1/16W	R3021		QUY160-100Y	IM BUS WIRE		
		R7	NRSA63J-821X	MG RESISTOR	820Ω,1/16W	R3027		QUY160-100Y	IM BUS WIRE		
		R8	NRSA63J-0R0X	MG RESISTOR	0Ω,1/16W	R3028		NRSA63J-102X	MG RESISTOR		1kΩ,1/16W
		R9	NRSA63J-0R0X	MG RESISTOR	0Ω,1/16W	R3042		NRSA02J-0R0X	MG RESISTOR		0Ω,1/10W
		R12	QUY153-050Y	IM BUS WIRE		R3056		NRSA02J-102X	MG RESISTOR		1kΩ,1/10W
		R37	NRSA63J-0R0X	MG RESISTOR	0Ω,1/16W	R3057		NRSA02J-102X	MG RESISTOR		1kΩ,1/10W
		R49	NRSA63J-561X	MG RESISTOR	560Ω,1/16W	R3060		NRSA02J-0R0X	MG RESISTOR		0Ω,1/10W
		R66	NRSA63J-104X	MG RESISTOR	100kΩ,1/16W	R3090		NRSA02J-102X	MG RESISTOR		1kΩ,1/10W
		R77	NRSA63J-103X	MG RESISTOR	10kΩ,1/16W	R3116		NRSA02J-103X	MG RESISTOR		10kΩ,1/10W
		R118	NRSA63J-222X	MG RESISTOR	2.2kΩ,1/16W	R3117		NRSA02J-103X	MG RESISTOR		10kΩ,1/10W

#	△ REF No.	PART No.	PART NAME, DESCRIPTION	#	△ REF No.	PART No.	PART NAME, DESCRIPTION
	R3201	NRSA02J-332X	MG RESISTOR 3.3kΩ,1/10W		R5312	NRVA02D-332X	CMF RESISTOR 3.3kΩ,1/10W
	R3206	NRSA02J-103X	MG RESISTOR 10kΩ,1/10W		R5313	NRVA02D-362X	CMF RESISTOR 3.6kΩ,1/10W
	R3207	NRSA02J-103X	MG RESISTOR 10kΩ,1/10W		R5314	NRSA02J-332X	MG RESISTOR 3.3kΩ,1/10W
	R3208	NRSA02J-103X	MG RESISTOR 10kΩ,1/10W		R5316	NRVA02D-822X	CMF RESISTOR 8.2kΩ,1/10W
	R3209	QRE141J-181Y	RESISTOR 180Ω,1/4W		R5331	QRL02DJ-101X	OMF RESISTOR 100Ω,2W
	R3211	NRSA02J-183X	MG RESISTOR 18kΩ,1/10W		R5332	QRE141J-222Y	RESISTOR 2.2kΩ,1/4W
	R3212	NRSA02J-181X	MG RESISTOR 180Ω,1/10W		R5333	QRL02DJ-391X	OMF RESISTOR 390Ω,2W
	R3213	QRE141J-273Y	RESISTOR 27kΩ,1/4W		R5334	QRL02DJ-391X	OMF RESISTOR 390Ω,2W
	R3214	NRSA02J-181X	MG RESISTOR 180Ω,1/10W		R6020	NRSA02J-102X	MG RESISTOR 1kΩ,1/10W
	R3215	NRSA02J-273X	MG RESISTOR 27kΩ,1/10W		R6021	NRSA02J-102X	MG RESISTOR 1kΩ,1/10W
	R3216	NRSA02J-474X	MG RESISTOR 470kΩ,1/10W		R6030	NRSA02J-332X	MG RESISTOR 3.3kΩ,1/10W
	R3217	NRSA02J-334X	MG RESISTOR 330kΩ,1/10W		R6031	QUY153-050Y	IM BUS WIRE
	R3218	NRSA02J-562X	MG RESISTOR 5.6kΩ,1/10W		R6050	QUY160-100Y	IM BUS WIRE
	R3219	QRE141J-103Y	RESISTOR 10kΩ,1/4W		R6054	NRSA02J-102X	MG RESISTOR 1kΩ,1/10W
	R3220	NRSA02J-103X	MG RESISTOR 10kΩ,1/10W		R6502	NRSA02J-332X	MG RESISTOR 3.3kΩ,1/10W
	R3222	NRSA02J-472X	MG RESISTOR 4.7kΩ,1/10W		R6503	NRSA02J-153X	MG RESISTOR 15kΩ,1/10W
	R3223	NRSA63J-105X	MG RESISTOR 1MΩ,1/16W		R6504	NRSA02J-103X	MG RESISTOR 10kΩ,1/10W
	R3224	NRSA63J-101X	MG RESISTOR 100Ω,1/16W		R7001	QRE141J-331Y	RESISTOR 330Ω,1/4W
	R3226	NRSA02J-103X	MG RESISTOR 10kΩ,1/10W		R7002	NRSA02J-331X	MG RESISTOR 330Ω,1/10W
	R3227	NRSA02J-103X	MG RESISTOR 10kΩ,1/10W		R7003	NRSA02J-331X	MG RESISTOR 330Ω,1/10W
	R3232	QRE141J-104Y	RESISTOR 100kΩ,1/4W		R7004	NRSA02J-331X	MG RESISTOR 330Ω,1/10W
	R3233	NRSA02J-472X	MG RESISTOR 4.7kΩ,1/10W		R7005	NRSA63J-331X	MG RESISTOR 330Ω,1/16W
	R3234	NRSA02J-472X	MG RESISTOR 4.7kΩ,1/10W		R7006	NRSA02J-331X	MG RESISTOR 330Ω,1/10W
△	R3235	NRSA02J-102X	MG RESISTOR 1kΩ,1/10W		R7007	NRSA63J-331X	MG RESISTOR 330Ω,1/16W
	R3237	NRSA02J-472X	MG RESISTOR 4.7kΩ,1/10W		R7020	NRSA02J-103X	MG RESISTOR 10kΩ,1/10W
	R3238	NRSA02J-472X	MG RESISTOR 4.7kΩ,1/10W		R7021	NRSA02J-122X	MG RESISTOR 1.2kΩ,1/10W
	R4001	QRE141J-222Y	RESISTOR 2.2kΩ,1/4W		R7022	NRSA02J-182X	MG RESISTOR 1.8kΩ,1/10W
	R4002	QRE141J-562Y	RESISTOR 5.6kΩ,1/4W		R7023	NRSA02J-222X	MG RESISTOR 2.2kΩ,1/10W
	R4003	NRSA02J-222X	MG RESISTOR 2.2kΩ,1/10W		R7024	NRSA02J-272X	MG RESISTOR 2.7kΩ,1/10W
	R4004	QUY160-100Y	IM BUS WIRE		R7030	NRSA02J-103X	MG RESISTOR 10kΩ,1/10W
	R4006	NRSA02J-472X	MG RESISTOR 4.7kΩ,1/10W		R7031	NRSA02J-122X	MG RESISTOR 1.2kΩ,1/10W
	R4010	NRSA02J-471X	MG RESISTOR 470Ω,1/10W		R7032	NRSA02J-182X	MG RESISTOR 1.8kΩ,1/10W
	R4011	NRSA02J-471X	MG RESISTOR 470Ω,1/10W		R7033	NRSA02J-222X	MG RESISTOR 2.2kΩ,1/10W
	R4012	NRSA02J-153X	MG RESISTOR 15kΩ,1/10W		R7034	NRSA02J-272X	MG RESISTOR 2.7kΩ,1/10W
	R4013	NRSA02J-102X	MG RESISTOR 1kΩ,1/10W		R7035	NRSA02J-472X	MG RESISTOR 4.7kΩ,1/10W
	R4018	NRSA02J-103X	MG RESISTOR 10kΩ,1/10W		R7036	NRSA02J-682X	MG RESISTOR 6.8kΩ,1/10W
	R4019	NRSA02J-102X	MG RESISTOR 1kΩ,1/10W		R7037	NRSA02J-563X	MG RESISTOR 56kΩ,1/10W
	R4020	NRSA02J-102X	MG RESISTOR 1kΩ,1/10W		R7046	QUY153-050Y	IM BUS WIRE
	R4021	NRSA02J-103X	MG RESISTOR 10kΩ,1/10W		B6	NRSA63J-0R0X	MG RESISTOR 0Ω,1/16W
	R4024	QRE141J-103Y	RESISTOR 10kΩ,1/4W		B23	NRSA63J-0R0X	MG RESISTOR 0Ω,1/16W
	R5101	QRE141J-224Y	RESISTOR 220kΩ,1/4W		B5001	QUY160-100Y	IM BUS WIRE
	R5102	QRE141J-224Y	RESISTOR 220kΩ,1/4W		B5002	QUY160-100Y	IM BUS WIRE
	R5103	QRE141J-683Y	RESISTOR 68kΩ,1/4W		B5301	NRSA02J-0R0X	MG RESISTOR 0Ω,1/10W
	R5104	QRG02GJ-683	OMF RESISTOR 68kΩ,2W		B6020	QUY160-075Y	IM BUS WIRE
	R5106	QRT01DJ-R39X	MF RESISTOR 0.39Ω,1W		B7009	NRSA02J-0R0X	MG RESISTOR 0Ω,1/10W
	R5107	QRE121J-331Y	RESISTOR 330Ω,1/2W		C1	NCF31AZ-105X	CAPACITOR 1μF,10V
	R5108	NRSA02J-122X	MG RESISTOR 1.2kΩ,1/10W		C2	NCF31AZ-105X	CAPACITOR 1μF,10V
	R5109	QRE141J-681Y	RESISTOR 680Ω,1/4W		C3	NCF31AZ-105X	CAPACITOR 1μF,10V
	R5110	NRSA02J-224X	MG RESISTOR 220kΩ,1/10W		C4	NCF31AZ-105X	CAPACITOR 1μF,10V
	R5111	NRSA02J-821X	MG RESISTOR 820Ω,1/10W		C5	QEK1CM-476	E CAPACITOR 47μF,16V
	R5112	NRSA02J-221X	MG RESISTOR 220Ω,1/10W		C6	NCB11EK-104X	CAPACITOR 0.1μF,25V
	R5301	NRSA02J-472X	MG RESISTOR 4.7kΩ,1/10W		C7	NCB21HK-471X	CAPACITOR 470pF,50V
	R5302	NRSA02J-152X	MG RESISTOR 1.5kΩ,1/10W		C8	NCB31CK-104X	CAPACITOR 0.1μF,16V
	R5303	NRSA02J-152X	MG RESISTOR 1.5kΩ,1/10W		C9	NCB31EK-103X	CAPACITOR 0.01μF,25V
	R5304	NRSA02J-471X	MG RESISTOR 470Ω,1/10W		C10	NDC31HJ-151X	CAPACITOR 150pF,50V
	R5305	NRSA02J-102X	MG RESISTOR 1kΩ,1/10W		C11	NCB31CK-104X	CAPACITOR 0.1μF,16V
	R5306	NRSA02J-471X	MG RESISTOR 470Ω,1/10W		C12	NDC31HJ-330X	CAPACITOR 33pF,50V
	R5308	NRSA02J-471X	MG RESISTOR 470Ω,1/10W		C14	NCB31CK-104X	CAPACITOR 0.1μF,16V
	R5309	NRSA02J-103X	MG RESISTOR 10kΩ,1/10W		C16	NCB31CK-104X	CAPACITOR 0.1μF,16V
	R5310	NRSA02J-471X	MG RESISTOR 470Ω,1/10W		C17	QEKJ1HM-335	E CAPACITOR 3.3μF,50V
	R5311	NRSA02J-473X	MG RESISTOR 47kΩ,1/10W		C19	QEKJ1HM-225	E CAPACITOR 2.2μF,50V

#	△	REF No.	PART No.	PART NAME, DESCRIPTION		#	△	REF No.	PART No.	PART NAME, DESCRIPTION	
C20			QEKJ1HM-105	E CAPACITOR	1μF,50V	C2210			QEKJ1EM-106	E CAPACITOR	10μF,25V
C21			NCB31CK-104X	CAPACITOR	0.1μF,16V	C2211			QEKJ0JM-336	E CAPACITOR	33μF,6.3V
C22			QEKJ0JM-476	E CAPACITOR	47μF,6.3V	C2212			QEKJ0JM-476	E CAPACITOR	47μF,6.3V
C23			NCB31CK-223X	CAPACITOR	0.022μF,16V	C2214			QEKJ1EM-106	E CAPACITOR	10μF,25V
C24			QCFB1HZ-104	CAPACITOR	0.1μF,50V	C2215			QEKC1EM-106	E CAPACITOR	10μF,25V
C25			NDC31HJ-5R0X	CAPACITOR	5pF,50V	C2216			QEKJ1CM-476	E CAPACITOR	47μF,16V
C26			NCB31CK-223X	CAPACITOR	0.022μF,16V	C2218			QEKJ1EM-106	E CAPACITOR	10μF,25V
C27			NCB31EK-223X	CAPACITOR	0.022μF,25V	C2219			QEKJ1CM-226	E CAPACITOR	22μF,16V
C28			QEKJ1HM-335	E CAPACITOR	3.3μF,50V	C2220			QEKJ1EM-106	E CAPACITOR	10μF,25V
C29			NCB31EK-472X	CAPACITOR	0.0047μF,25V	C2221			NCB21EK-223X	CAPACITOR	0.022μF,25V
C30			QEKJ1HM-474	E CAPACITOR	0.47μF,50V	C2222			NCB31EK-103X	CAPACITOR	0.01μF,25V
C31			QEKJ0JM-476	E CAPACITOR	47μF,6.3V	C2251			NCB21HK-103X	CAPACITOR	0.01μF,50V
C32			QDYB1CM-103Y	CAPACITOR	0.01μF,16V	C2252			NCB31EK-103X	CAPACITOR	0.01μF,25V
C33			QEKJ1HM-225	E CAPACITOR	2.2μF,50V	C2253			NCB31EK-103X	CAPACITOR	0.01μF,25V
C34			NCB21EK-104X	CAPACITOR	0.1μF,25V	C2254			QEKJ0JM-476	E CAPACITOR	47μF,6.3V
C35			NCB31CK-333X	CAPACITOR	0.033μF,16V	C2255			NCB31EK-103X	CAPACITOR	0.01μF,25V
C36			QEKJ1EM-475	E CAPACITOR	4.7μF,25V	C2256			NCB21HK-103X	CAPACITOR	0.01μF,50V
C37			QEKJ1EM-475	E CAPACITOR	4.7μF,25V	C2257			NCB31EK-103X	CAPACITOR	0.01μF,25V
C38			QEKJ0JM-476	E CAPACITOR	47μF,6.3V	C2259			QEKJ1HM-334	E CAPACITOR	0.33μF,50V
C39			NCB31CK-223X	CAPACITOR	0.022μF,16V	C2260			NRSA63J-684X	MG RESISTOR	680kΩ,1/16W
C40			QEKJ1CM-106	E CAPACITOR	10μF,16V	C3001			NCB21EK-223X	CAPACITOR	0.022μF,25V
C51			QERF1HM-105	E CAPACITOR	1μF,50V	C3003			QEKJ1CM-106	E CAPACITOR	10μF,16V
C54			NRSA63J-0R0X	MG RESISTOR	0Ω,1/16W	C3004			NDC31HJ-101X	CAPACITOR	100pF,50V
C62			NCB31CK-104X	CAPACITOR	0.1μF,16V	C3008			NCB21HK-103X	CAPACITOR	0.01μF,50V
C120			QEKJ1HM-105	E CAPACITOR	1μF,50V	C3013			QEKJ1CM-106	E CAPACITOR	10μF,16V
C136			NCB31CK-104X	CAPACITOR	0.1μF,16V	C3015			NCB21HK-222X	CAPACITOR	0.0022μF,50V
C144			NCB31EK-103X	CAPACITOR	0.01μF,25V	C3016			NDC21HJ-180X	CAPACITOR	18pF,50V
C201			QERF0JM-476	E CAPACITOR	47μF,6.3V	C3017			NDC21HJ-270X	CAPACITOR	27pF,50V
C202			NCB21EK-223X	CAPACITOR	0.022μF,25V	C3018			QAT3725-300Z	TRIM CAPACITOR,TIMER CLOCK	
C203			QERF1HM-105	E CAPACITOR	1μF,50V	C3019			NDC21HJ-100X	CAPACITOR	10pF,50V
C205			NDC21HJ-101X	CAPACITOR	100pF,50V	C3020			NDC21HJ-180X	CAPACITOR	18pF,50V
C207			NCF21CZ-105X	CAPACITOR	1μF,16V	C3022			NCB21HK-103X	CAPACITOR	0.01μF,50V
C208			NRSA02J-0R0X	MG RESISTOR	0Ω,1/10W	C3023			NCF21CZ-105X	CAPACITOR	1μF,16V
C210			NRSA02J-0R0X	MG RESISTOR	0Ω,1/10W	C3028			QETN0JM-108	E CAPACITOR	1000μF,6.3V
C901			QETN0JM-477	E CAPACITOR	470μF,6.3V	C3035			NCB31EK-223X	CAPACITOR	0.022μF,25V
C904			NCB21EK-223X	CAPACITOR	0.022μF,25V	C3036			QERF0JM-107	E CAPACITOR	100μF,6.3V
C2001			QEKJ1HM-475	E CAPACITOR	4.7μF,50V	C3041			NDC21HJ-101X	CAPACITOR	100pF,50V
C2002			QEKJ1HM-105	E CAPACITOR	1μF,50V	C3042			NDC21HJ-101X	CAPACITOR	100pF,50V
C2003			QEKJ0JM-476	E CAPACITOR	47μF,6.3V	C3049			NCB21HK-103X	CAPACITOR	0.01μF,50V
C2005			QEKJ1HM-475	E CAPACITOR	4.7μF,50V	C3050			NCB21HK-103X	CAPACITOR	0.01μF,50V
C2006			NCB31EK-123X	CAPACITOR	0.012μF,25V	C3052			NCB21HK-103X	CAPACITOR	0.01μF,50V
C2007			QEKJ1CM-226	E CAPACITOR	22μF,16V	C3053			QDYB1CM-103Y	CAPACITOR	0.01μF,16V
C2008			QEKJ1HM-475	E CAPACITOR	4.7μF,50V	C4001			NCB21EK-104X	CAPACITOR	0.1μF,25V
C2009			NCB31HK-102X	CAPACITOR	0.001μF,50V	C4002			QERF1HM-105	E CAPACITOR	1μF,50V
C2010			NCB31HK-152X	CAPACITOR	0.0015μF,50V	C4004			QERF1AM-336	E CAPACITOR	33μF,10V
C2011			QEKJ1HM-475	E CAPACITOR	4.7μF,50V	C4006			NCB21EK-563X	CAPACITOR	0.056μF,25V
C2012			QEKJ1HM-475	E CAPACITOR	4.7μF,50V	C4007			NCB21HK-103X	CAPACITOR	0.01μF,50V
C2051			QCBB1HK-331	CAPACITOR	330pF,50V	C4009			NCB21HK-102X	CAPACITOR	0.001μF,50V
C2052			QFN31HJ-823	F CAPACITOR	0.082μF,50V	C4010			QERF0JM-476	E CAPACITOR	47μF,6.3V
C2053			NCB21HK-472X	CAPACITOR	0.0047μF,50V	C4011			NCB21CK-224X	CAPACITOR	0.22μF,16V
C2054			NCB21EK-223X	CAPACITOR	0.022μF,25V	C4014			NDC21HJ-101X	CAPACITOR	100pF,50V
C2055			QEKJ1EM-106	E CAPACITOR	10μF,25V	C4015			NDC21HJ-101X	CAPACITOR	100pF,50V
C2201			QEKJ1EM-106	E CAPACITOR	10μF,25V	C4019			NCB21HK-103X	CAPACITOR	0.01μF,50V
C2202			QEKJ1HM-475	E CAPACITOR	4.7μF,50V	C4022			NDC21HJ-101X	CAPACITOR	100pF,50V
C2203			QEKJ1HM-475	E CAPACITOR	4.7μF,50V	△ C5001			QFZ9073-683	F CAPACITOR	0.068μF,250V
C2204			QEKJ0JM-336	E CAPACITOR	33μF,6.3V	△ C5004			QCZ9071-222	CAPACITOR	0.0022μF,250V
C2205			QEKJ1EM-106	E CAPACITOR	10μF,25V	C5006			QEZ0424-686	E CAPACITOR	68μF,400V
C2206			QEKJ1EM-106	E CAPACITOR	10μF,25V	C5101			QCZ0212-472	CAPACITOR	0.0047μF,1kV
C2207			NCB31EK-153X	CAPACITOR	0.015μF,25V	C5102			QCZ0339-101Z	CAPACITOR	100pF,1kV
C2208			NCB31EK-153X	CAPACITOR	0.015μF,25V	C5104			QEKJ1HM-105	E CAPACITOR	1μF,50V
C2209			QEKJ1EM-106	E CAPACITOR	10μF,25V	C5105			QFN31HJ-183	F CAPACITOR	0.018μF,50V

#	△ REF No.	PART No.	PART NAME, DESCRIPTION	#	△ REF No.	PART No.	PART NAME, DESCRIPTION
C5106		QCBB1HJ-271	CAPACITOR 270pF,50V	S7017		QSW0456-002Z	TACT SWITCH,SOTP/EJECT
C5107		QFV11HJ-104	F CAPACITOR 0.1μF,50V	S7018		QSW0456-002Z	TACT SWITCH,REC
C5202		QEMT1CM-687	E CAPACITOR 680μF,16V	S7019		QSW0456-002Z	TACT SWITCH,PAUSE/CH
C5203		QEMT1AM-687	E CAPACITOR 680μF,10V	K5101		QQR0678-001Z	FERRITE BEAD
C5204		QETJ2AM-475	E CAPACITOR 4.7μF,100V	K5102		QUY153-050Y	IM BUS WIRE
C5206		QEKJ1CM-476	E CAPACITOR 47μF,16V	PC3001		GP3S123	IC(PHOTO SENSOR)
C5207		QEKJ1CM-107	E CAPACITOR 100μF,16V	PC3002		GP3S123	IC(PHOTO SENSOR)
C5301		QEKJ1CM-107	E CAPACITOR 100μF,16V	△ PC5101		PS2561L1-1/WL/	IC(PHOTO COUPLER)
C5302		QEK1EM-106	E CAPACITOR 10μF,25V	T2051		PELN0832	OSC TRANSFORMER
C5303		QEKJ1CM-107	E CAPACITOR 100μF,16V	△ T5001		QQS0083-001	SW TRANSFORMER
C5304		QFLC1HJ-102Z	F CAPACITOR 0.001μF,50V	TU6001		QAU0235-001	TUNER
C5305		QFV91HJ-154	F CAPACITOR 0.15μF,50V	DI7001		LTG-Y2K12M-01J	LE DIODE
C6008		NCB21HK-103X	CAPACITOR 0.01μF,50V	ET1		LP30859-001A	EARTH PLATE
C6021		NDC21HJ-101X	CAPACITOR 100pF,50V	△ HS1		LP40090-001A	HEAT SINK,Q5010
C6029		NRSA02J-0R0X	MG RESISTOR 0Ω,1/10W	△ TB1		LP20979-003A	TERMINAL BOARD
C6053		NCB21HK-102X	CAPACITOR 0.001μF,50V	SD1		LP20990-001A	SHEILD PLATE
C6501		NCB21EK-104X	CAPACITOR 0.1μF,25V	OT1		QYTDST3006Z	SCREW,Q5101
C6502		QEK1HM-106	E CAPACITOR 10μF,50V	J2		QNN0286-002	PIN JACK,A/V OUT
C6503		QEKJ1HM-105	E CAPACITOR 1μF,50V	J7101		QNN0381-001	PIN JACK,FRONT IN
C6504		QCFB1HZ-104	CAPACITOR 0.1μF,50V	FC5001		QNG0006-001Z	FUSE CLIP,F5001
C6506		QEKJ1HM-105	E CAPACITOR 1μF,50V	FC5002		QNG0006-001Z	FUSE CLIP,F5001
C6508		NCB21EK-223X	CAPACITOR 0.022μF,25V	FW7106		QUM022-18A4A4	PARA RIBON WIRE
C6509		NCB21EK-104X	CAPACITOR 0.1μF,25V	△ LF5002		QQR0532-001	LINE FILTER
C6512		NCB21EK-223X	CAPACITOR 0.022μF,25V	CN1		QGF1028C1-11	FPC CONNECTOR,(1-11)U.DRUM
C6513		QEKJ1HM-225	E CAPACITOR 2.2μF,50V	CN2001		QGF1207C1-07	FPC CONNECTOR,(1-7)A/C HEAD
C6514		NCB21EK-223X	CAPACITOR 0.022μF,25V	CN2002		QGB2532J1-02	CONNECTOR,(1-2)FE HEAD
C6515		QEK1HM-335	E CAPACITOR 3.3μF,50V	CN3001		QGB2015M2-08	CONNECTOR,(1-8)CAPSTAN MOTOR
C6516		QEKJ1HM-475	E CAPACITOR 4.7μF,50V	CN3002		QGF1207C1-05	FPC CONNECTOR,(1-5)DRUM MDA
C6517		NCB21CK-224X	CAPACITOR 0.22μF,16V	CN3003		QGB2532J1-02	CONNECTOR,(1-2)LOADING MOTOR
C7013		NCB21HK-103X	CAPACITOR 0.01μF,50V	CN3004		QGB2534J2-04	CONNECTOR,(1-4)ROTARY ENCODER
C7014		NCB21HK-103X	CAPACITOR 0.01μF,50V	△ CN5001		QGA7901C3-02	CONNECTOR,(1-2)AC IN
C7041		QEKJ0JM-227	E CAPACITOR 220μF,6.3V	△ CP4001		ICP-N25	CIRCUIT PROTECTOR
L1		QQL29BJ-100Z	COIL 10μH	△ CP5302		ICP-N25	CIRCUIT PROTECTOR
L2		QUY153-050Y	IM BUS WIRE	△ F5001		QMF51E2-2R0J1	FUSE T2.0A,AC250V
L3		QQL29BJ-100Z	COIL 10μH				
L4		QQL29BJ-100Z	COIL 10μH				
L5		QQL29BJ-100Z	COIL 10μH				
L11		QQL01BJ-120Z	COIL 12μH				
L201		QUY153-050Y	IM BUS WIRE				
L203		QQL231J-4R7Y	COIL 4.7μH				
L901		QQL29BJ-100Z	COIL 10μH				
L2001		QUY153-050Y	IM BUS WIRE				
L2201		QUY153-050Y	IM BUS WIRE				
L2251		QQL29BJ-100Z	COIL 10μH				
L5201		PELN1184	COIL 33μH				
L5202		PELN1184	COIL 33μH				
L6001		QUY153-050Y	IM BUS WIRE				
L6003		QUY153-050Y	IM BUS WIRE				
L6032		QUY153-050Y	IM BUS WIRE				
L6050		QUY153-050Y	IM BUS WIRE				
L6501		QUY153-050Y	IM BUS WIRE				
L7111		NRSA02J-0R0X	MG RESISTOR 0Ω,1/10W				
L7112		QUY160-100Y	IM BUS WIRE				
X2		QAX0575-001	CRYSTAL RESONATOR				
X3001		QAX0526-001Z	CRYSTAL RESONATOR				
X3002		QAX0444-001	CRYSTAL RESONATOR				
S3001		QSW0602-004	PUSH SWITCH,REC.SAFETY				
S7004		QSW0456-002Z	TACT SWITCH,REW/CH-				
S7006		QSW0456-002Z	TACT SWITCH,FF/CH+				
S7010		QSW0456-002Z	TACT SWITCH,PLAY				
S7016		QSW0456-002Z	TACT SWITCH,POWER				